

MESSKO® TRASY SERIES WINDING TEMPERATURE ORDERING SPECIFICATIONS.



MESSKO® Trasy Series Type MT-STW160F2 – Winding Temperature

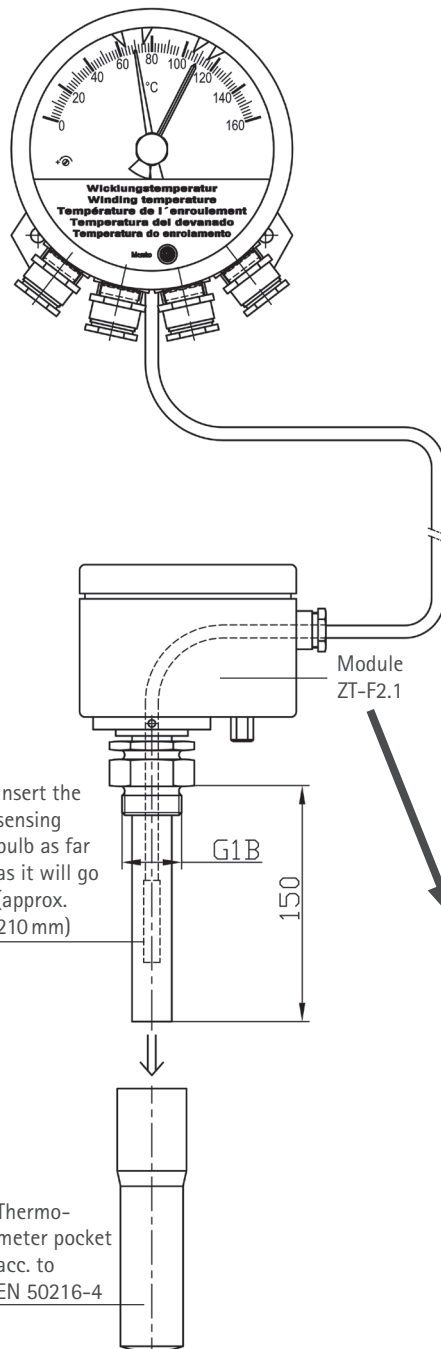
Project/Reference: _____

Design feature	
<input type="checkbox"/>	Measuring range 0...+160 °C, PVC protective sheath

Microswitches	
<input type="checkbox"/>	2 microswitches (change-over contact)
<input type="checkbox"/>	4 microswitches (change-over contact)
<input type="checkbox"/>	5 microswitches (normally open contact)
<input type="checkbox"/>	6 microswitches (normally open contact)
Others upon request	

Switching configurations				
1 red	2 blue	3 green	4 yellow	
				1 and 2 narrow standard

Length of capillary tube	
<input type="checkbox"/>	2 m capillary tube
<input type="checkbox"/>	4 m capillary tube
<input type="checkbox"/>	6 m capillary tube
<input type="checkbox"/>	8 m capillary tube
<input type="checkbox"/>	10 m capillary tube
<input type="checkbox"/>	12 m capillary tube
Others upon request	



Special types

Special measuring range	
<input type="checkbox"/>	Only on request

Special features	
<input type="checkbox"/>	additional stainless steel protection Ø 13 mm
<input type="checkbox"/>	Offshore model
Others upon request	

Special switching range	
<input type="checkbox"/>	3 and 4 narrow
<input type="checkbox"/>	1 + 2/3 + 4 narrow
Others upon request	

Switching configurations				
1 red	2 blue	3 green	4 yellow	
				3 and 4 narrow
				1+2/3+4 narrow

Module ZT-F2.1*	
<input type="checkbox"/>	1 x Pt100
<input type="checkbox"/>	2 x Pt100
<input type="checkbox"/>	1 x 4...20 mA, 0...+160 °C
<input type="checkbox"/>	2 x 4...20 mA, 0...+160 °C
<input type="checkbox"/>	1 x Pt100, 1 x 4...20 mA, 0...+160 °C
<input type="checkbox"/>	1 x Pt100, 1 x 4...20 mA, -20...+140 °C
<input type="checkbox"/>	Offshore model
Others upon request	

* Module ZT-F2.1 for insertion into the thermometer pocket acc. to EN 50216-4; others upon request

Please enclose this order form filled in the order.

MESSKO® TRASY SERIES WINDING TEMPERATURE TECHNICAL DATA.

MESSKO® MT-STW160F2	Technical Data
Housing (standard)	Galvanised sheet steel
Mounting ring and housing	Powder coated, bayonet fixing ring with silicone seal
Viewing glass	Laminated safety glass with UV filter
Temperature sensor	Brass
Mounting plate	Stainless steel
Capillary tube	Copper capillary tube with a PVC protective sheath or additional stainless steel protection
Cable gland	4 provided, M25 x 1.5 made of brass and nickel-plated
Characteristics	
Measuring range	0...+160 °C standard
Tolerance	Category 1 according to DIN EN 13190
Site of installation	Indoors and outdoors, tropicalised
Ambient temperature	-50...+80 °C
Degree of protection	IP55 according to EN 60529
Ventilation	The ventilation system facilitates glass free condensation up to a level of 80% rel. air humidity
Maximum pointer	All thermometers are equipped with a resettable red coloured maximum pointer
Weight	Approx. 2.5 kg for a 6 m capillary tube
Microswitches	
Quantity	1...6 adjustable microswitches (1...4 change-over microswitches)
Contact load	AC: 250V/5A/ cos φ = 1; DC: 250V/0.4 A, 110V/0.6A, 60V/1 A, 24V/4 A (non-inductive)
Minimum switching distance	6% of the measuring range
Contact material	Silver cadmium oxide (AgCdO10)
Rated insulation voltage	2,500V AC/1 min., terminals to ground
Switching hysteresis	Approx. 5 °C
Terminals	Min. 0.25 mm ² / max. 2.5 mm ²
MESSKO® Module ZT-F2.1	Technical Data
Materials	
Housing	Diecast aluminium, coated RAL 7033
Sensor sheath and screw connection	Brass, thread G1B equivalent to BSP 1"
Cable gland	3 provided, 2 x M25 x 1.5 and 1 x M16 x 1.5 made of brass, nickel-plated
Output signal	PT100 measuring resistance acc. to IEC 751 (100Ω at 0 °C)
Measuring range	-50...+160 °C
Weight	Approx. 1.7 kg
Analog output (optional)	
Output signal	4...20 mA
Supply voltage	DC: 12-30V unregulated, max. 10% residual ripple, protected against pole reversal
Measuring range	0...+160 °C standard
Ohmic load	750Ω at 24V DC
Thermal image	
Heating system	Integrated in the sensor sheath
Gradient adjustment	Via dip switches
CT-input	Nominal current 1.5...2.0A supplied by current transformer
Operation and ambient conditions	
Ambient temperature	-50...+85 °C
Degree of protection	IP55 acc. to EN 60529, ventilation is provided via pressure compensation element
Insulation test	300V AC 1 min., terminals to ground
Site of installation	Indoors and outdoors, tropicalised
Installation position	Any

Messko GmbH

Gewerbegebiet An den Drei Hasen
Messko-Platz 1
61440 Oberursel, Germany

Phone: +49 6171 6398 0
Fax: +49 6171 6398 98
Email: info@messko.com

www.messko.com

Please note:

The data in our publications may differ from the data of the devices delivered.
We reserve the right to make changes without notice..

TD2087/02/01 EN – MESSKO® Trasy Series Winding Temperature – Art. no. MS99098802 – 12/16 –
©Messko GmbH 2016

THE POWER BEHIND POWER.

